

WSLI VIRGO LED BULK HEADS



White Star Lighting Industry Pty Ltd
Let there be light.



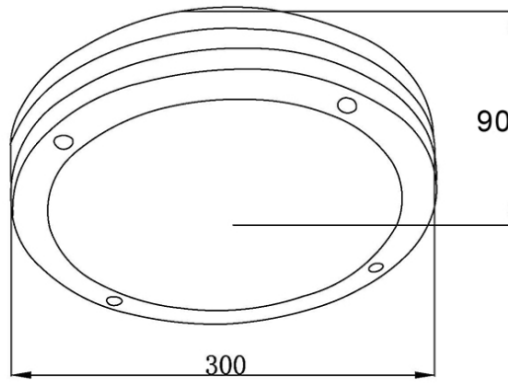
1. Features:

- Use high quality LM80 SMD LEDs as lighting source
- Use high frequency driver in all models and suitable for wall and ceiling mounting.
- The color of aluminum base is available for white or black.
- The diffuser is made by a high grade of PC that meets the IK10, also High UV Protection.
- IP65 can be waterproof.
- Luminous Efficiency > 130LM/W
- **Working with integral micro-wave sensor is available.**
- **Working with Emergency Version is available.**

2. Characteristics

Item	WSLI-VIRGO-BH-20W	WSLI-VIRGO-BH-30W
Power	20W	30W
LEDs	LM80 SMD LEDs	LM80 SMD LEDs
Lumens	2600LM	3900LM
Efficiency	130LM/W	130LM/W
Power Factor	>0.95	
Driver	Constant Current Led Driver	
Rated Volt.	100-240V AC50/60Hz	
Size	∅ 300x90mm	
Color Temp.	Warm White:2800-3300K; Commercial White:4000-4500K; Cool White:6000-6500K	
CRI	>80	
Beam Angle	115°	
Life Span	100 000Hrs	
IP Rating	IP65	
Materials	Aluminum PCB, Die-cast Aluminum , High UV Protection	
Working Temp.	-40°C - 60°C	

WSLI VIRGO LED BULK HEADS



Dia-Line Drawing

3. Application

- Bathroom
- Outside corridor
- Shopping Center
- Hotel
- Stair, etc.

